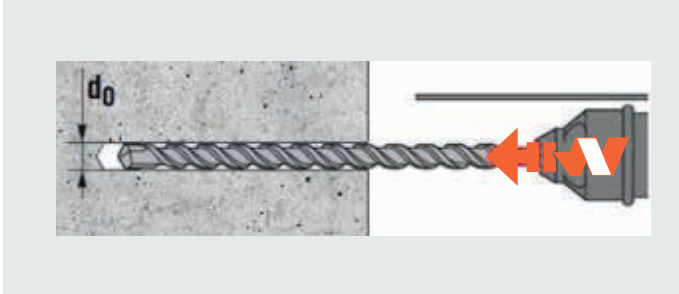


# The Anchor Screw

## Installation Methodology

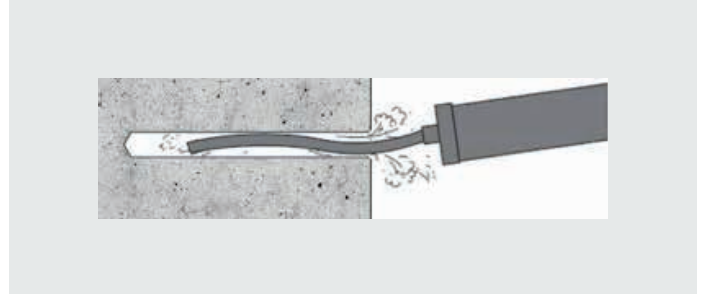
---

01.



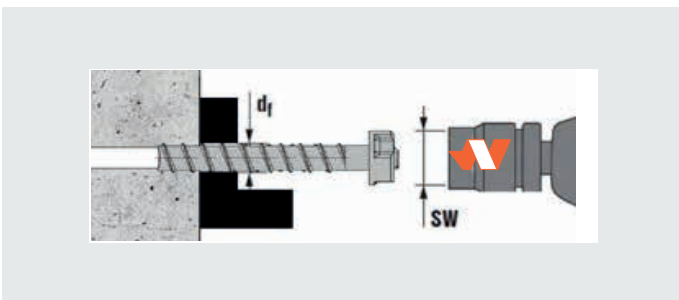
Drill a hole in the substrate using the specified drillbit type and size

02.



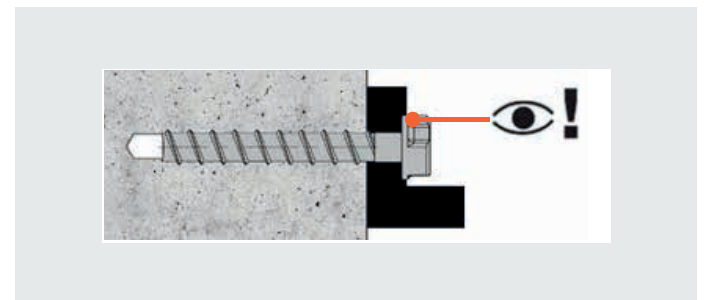
Clean the hole to remove debris and contaminants from the drilling process

03.



Install the Anchor Screw using the supplied impact socket with an impact driver

04.



Check that the fixture plate is snug with the substrate material